

# PINHOLT

## Metal Working

 **BMJ** *MARINE*



### SEA CHEST STRAINERS

### PINHOLT METAL WORKING

#### RESUME

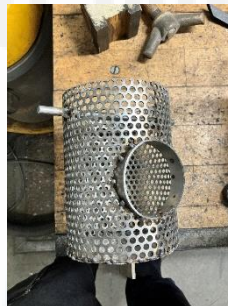
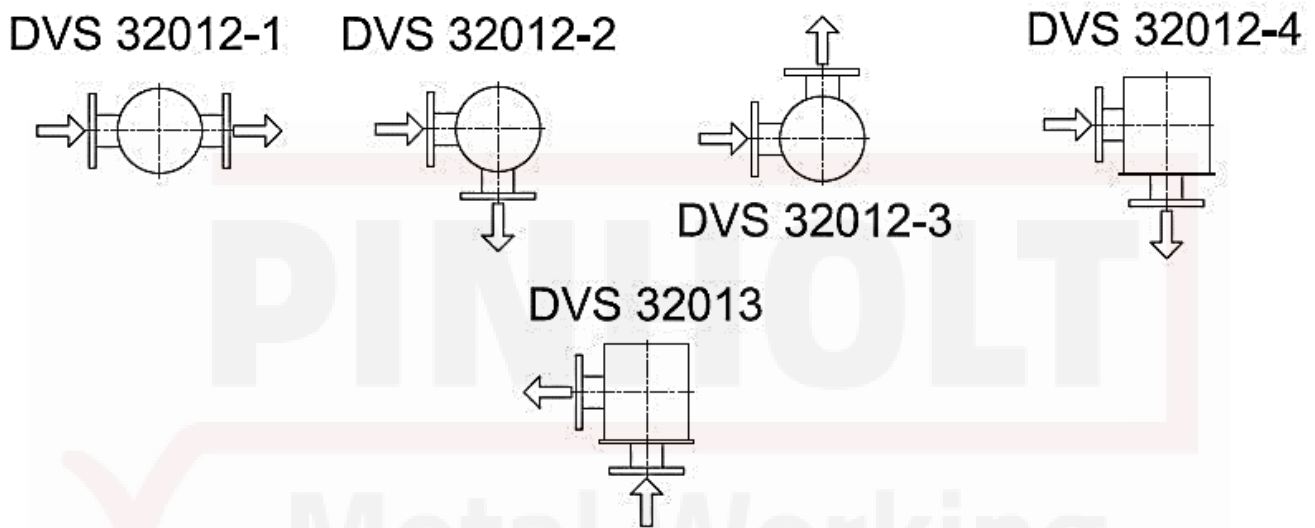
Sea chest strainers are essential components for large motorized vessels, serving vital functions in cooling water systems and fire suppression setups. At Pinholt Metal Working, we manufacture top-quality sea chest strainers trusted by a global clientele. These strainers are in demand for various purposes, from renovating existing vessels to constructing new ships. We also offer customized solutions based on your unique specifications and maintain a ready stock of smaller standard sea chest strainers, especially in types DVS32012-1 and DVS32013. Our sea chest strainers adhere to strict industry standards (DVS 32012 & DVS 32013) and come with over 25 years of experience, a large global customer base, and short delivery times.

#### Poul Pinholt

Owner & CEO at Pinholt Metal Working A/S  
Phone number and email: +4597542277 –  
poul@pinholtmw.dk

# Sea chest strainers from Pinholt Metal Working A/S

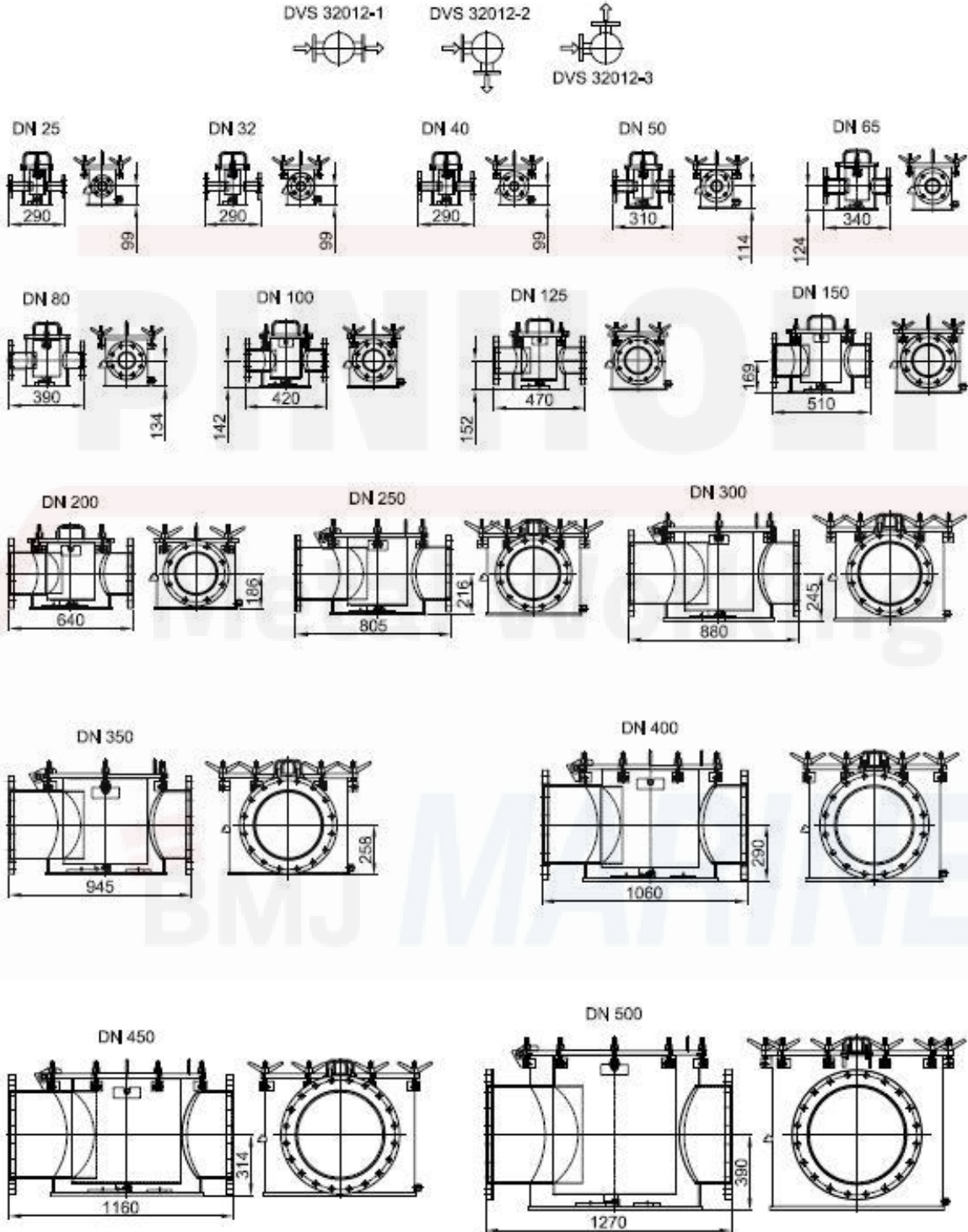
Our Sea chest strainers got five types of standard flow directions as you can see on the drawings below:



On the following pages, you can find the standard building dimensions for all sea chest strainers with listed prices. We strive to always keep smaller filters in stock. As a starting point, we maintain stock of all sizes up to DN 250 in the DVS 32012-1 and DVS 32013 types.



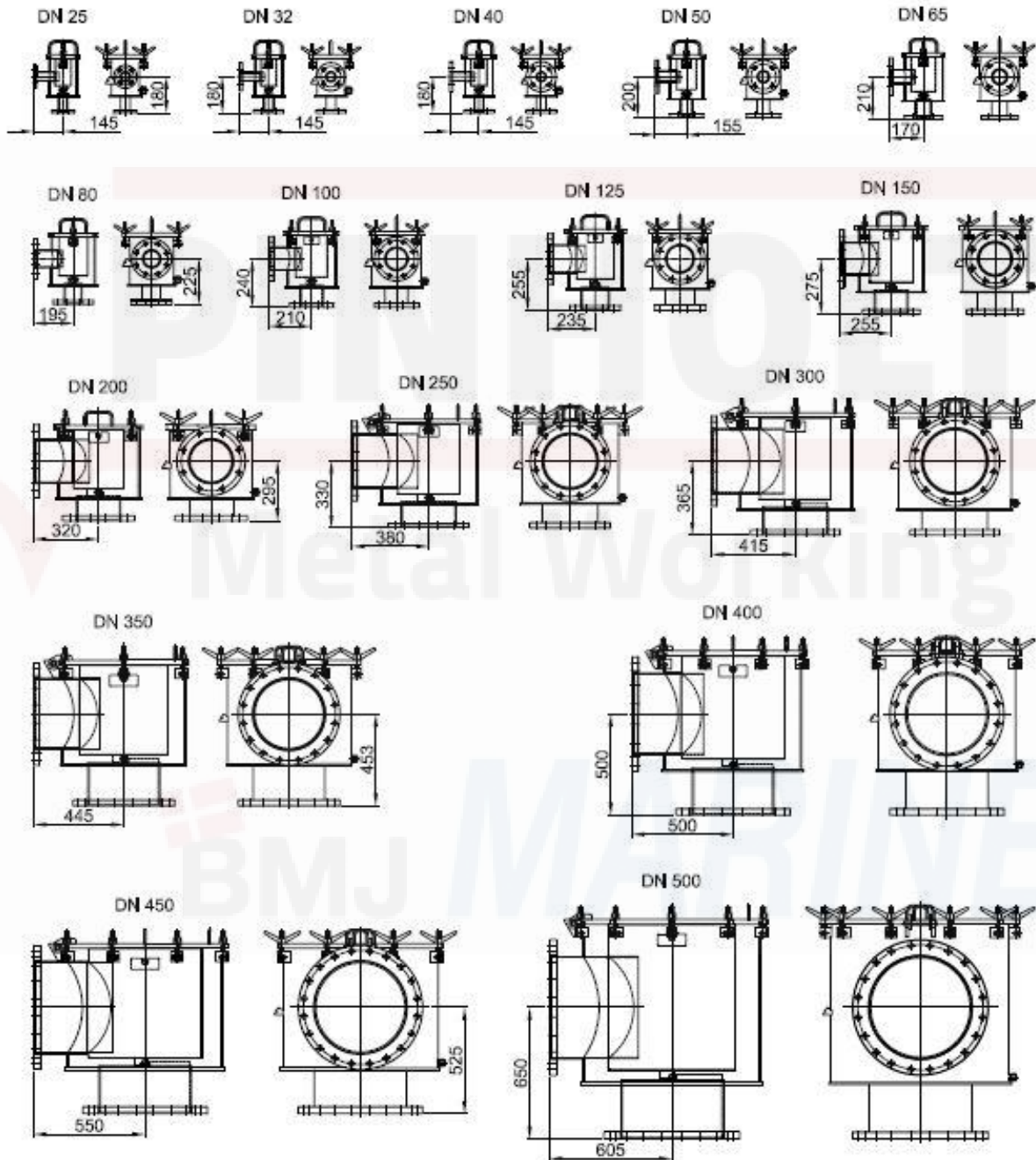
# DVS 32012-1, -2, and -3





# DVS 32012-4

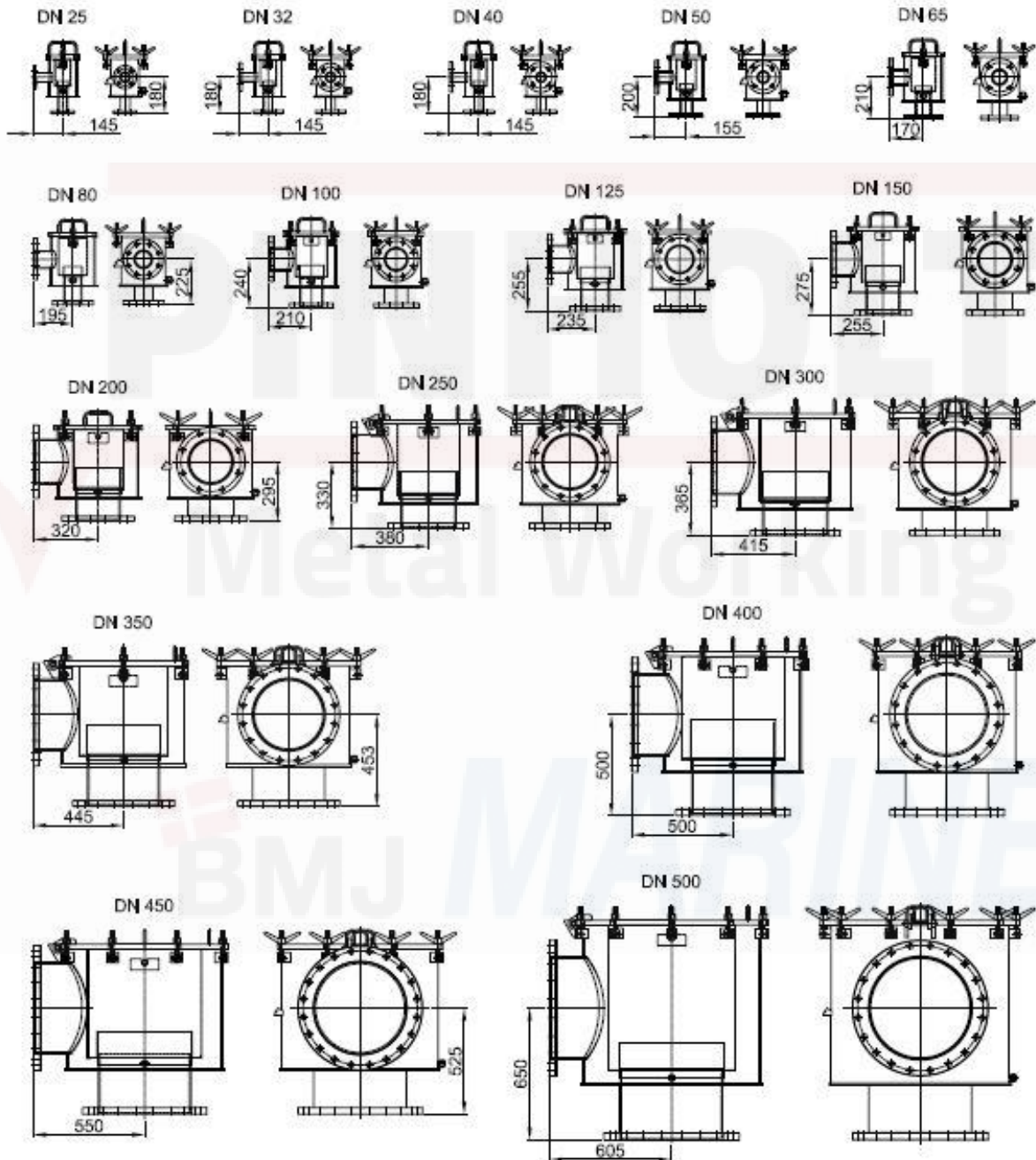
DVS 32012-4





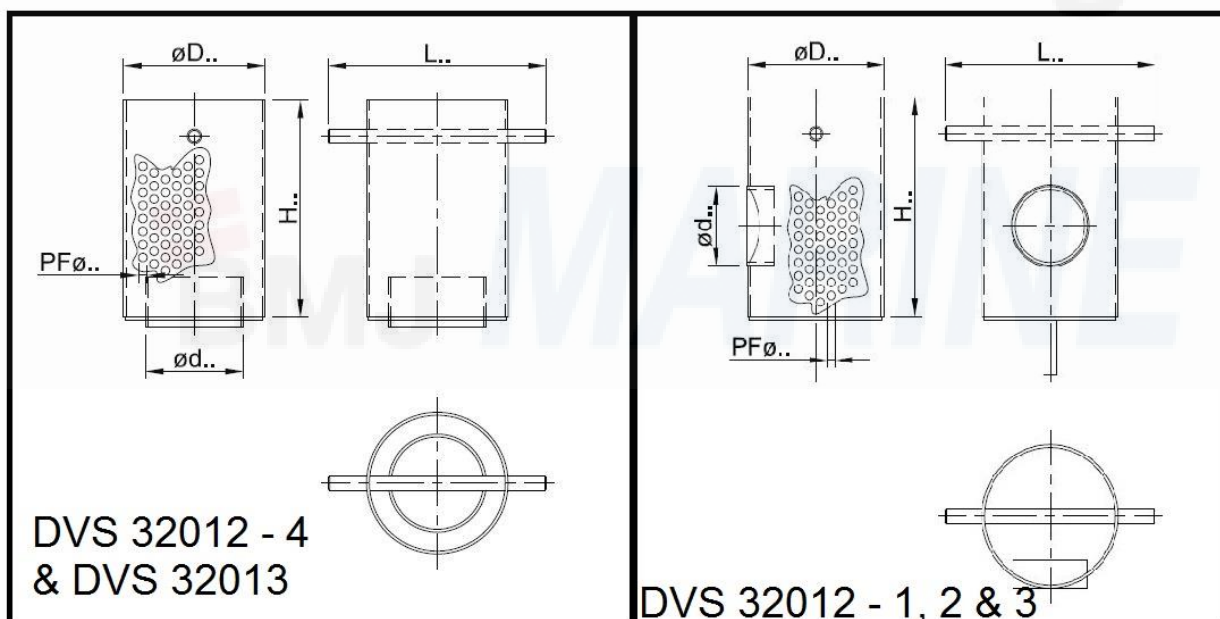
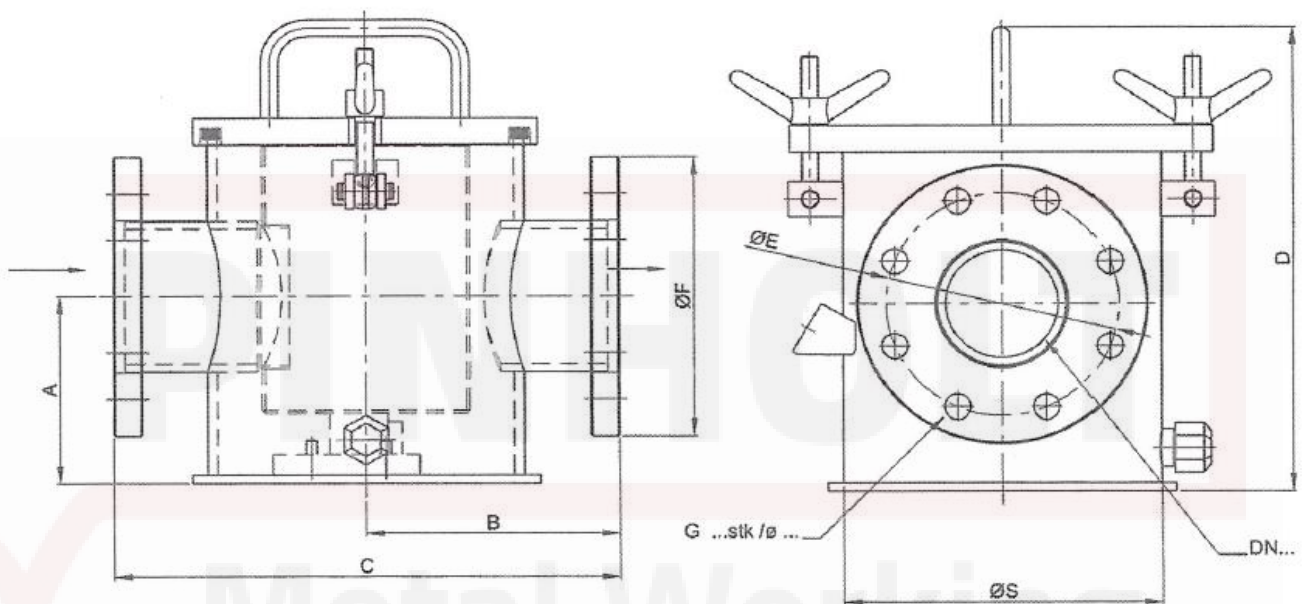
# DVS 32013

DVS 32013



## Special sea chest strainer:

If you require a custom version of the ship filter, that is also an option. Share your specifications and requirements with us, and we will provide you with a price calculation."



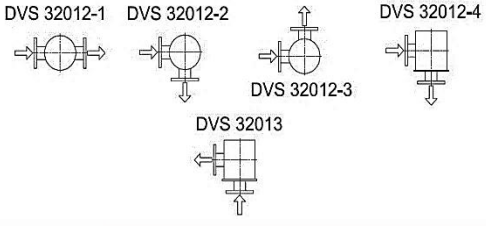
WEBSITE:  
[www.pinholtmw.dk](http://www.pinholtmw.dk)

Direct number and email:  
+4597542277 - [info@pinholtmw.dk](mailto:info@pinholtmw.dk)

Contact Person:  
Poul Pinholt



Address: Hjortevej 2a, 7800 Skive, Denmark

<p><b>Application</b></p>	<p>Pinholt Metal Working A/S DVS 32012-1, 2, 3 and 4 &amp; DVS 32013 sea chest strainers are suited for use in sea-water and freshwater for protecting diverse vessel components.</p>																														
<p><b>Types</b></p> 	<p>DVS 32012-1, 2, 3 and 4 &amp; DVS 32013 sea chest strainers are produced in accordance with DVS (Danish Shipyard Standard).</p> <ul style="list-style-type: none"> <li>- DVS 32012-1 Straight flow</li> <li>- DVS 32012-2 Right flow</li> <li>- DVS 32012- 3 Left flow</li> <li>- DVS 32012- 4 straight in bottom out flow</li> <li>- DVS 32013 bottom in straight out flow</li> </ul>																														
<p><b>Materials</b></p>	<p>Filter housing is made from.</p> <ul style="list-style-type: none"> <li>- untreated steel</li> <li>- hot galvanized steel</li> <li>- Fusion bonding epoxy inside and outside</li> <li>- Rubber lined inside, epoxy outside</li> </ul> <p>Zinc anodes can be mounted for maximum protection against corrosion, thus enhancing the durability.</p> <p>Strainer is made from.</p> <ul style="list-style-type: none"> <li>- acid-proof stainless steel AISI 316</li> </ul>																														
<p><b>Strainer basket hole diameter</b></p>	<p>Our standard strainer basket is made with Ø6 hole diameter.</p> <p>Special filters are produced in accordance with the with various hole diameters: Ø3 mm, Ø4 mm, Ø5 mm, Ø6 mm, Ø8 mm and Ø10 mm.</p>																														
<p><b>Additional specifications</b></p>	<p>Working pressure (max): 2,5 bar          Testing pressure: 5 bar          Diff. Pressure (clean filter): 0,1 bar          Max. working T: 90°C          Flange connection: EN 1092-1</p>																														
<p><b>Cover fastening</b></p>	<p>Brass ring bolt and wing nut</p>																														
<p><b>Capacity at 2 m/s flow</b></p>	<table border="1" style="width: 100%; border-collapse: collapse;"> <thead> <tr> <th style="text-align: left;">Type</th> <th style="text-align: left;">Capacity at 2 m/s flow, m<sup>3</sup>/h</th> </tr> </thead> <tbody> <tr><td>32</td><td>7</td></tr> <tr><td>40</td><td>10</td></tr> <tr><td>50</td><td>14</td></tr> <tr><td>65</td><td>24</td></tr> <tr><td>80</td><td>34</td></tr> <tr><td>100</td><td>60</td></tr> <tr><td>125</td><td>96</td></tr> <tr><td>150</td><td>137</td></tr> <tr><td>200</td><td>240</td></tr> <tr><td>250</td><td>383</td></tr> <tr><td>300</td><td>544</td></tr> <tr><td>350</td><td>650</td></tr> <tr><td>400</td><td>855</td></tr> <tr><td>450</td><td>1080</td></tr> </tbody> </table>	Type	Capacity at 2 m/s flow, m <sup>3</sup> /h	32	7	40	10	50	14	65	24	80	34	100	60	125	96	150	137	200	240	250	383	300	544	350	650	400	855	450	1080
Type	Capacity at 2 m/s flow, m <sup>3</sup> /h																														
32	7																														
40	10																														
50	14																														
65	24																														
80	34																														
100	60																														
125	96																														
150	137																														
200	240																														
250	383																														
300	544																														
350	650																														
400	855																														
450	1080																														



## Our standard sea chest strainer consists of:

1	Hot-dip galvanized filter housing.
2	Filter basket with Ø6 holes in acid-resistant stainless steel 316.
3	Zinc anodes that fit the size of the filter housing (only for Type 32012- 1, 2 and 3).
4	Eyebolts (Stainless 316) / wing nuts (brass) / brass ring bolt for eyebolt.
5	Hot-dip galvanized lid with rubber seal and ball valve.
6	Sludge spigot end plug.
7	A unique product number with contact information



BMJ MARINE